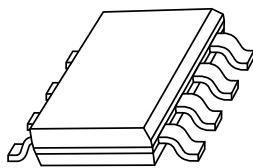


# DATA SHEET



## **UZZ7000T**

Trigger amplifier with two wire  
current interface

Preliminary specification

2000 Sep 05

# Trigger amplifier with two wire current interface

# UZZ7000T

## FEATURES

- Differential input trigger amplifier
- Designed for signal conditioning of magnetoresistive sensor bridges
- Two wire 7 and 14 mA current interface
- Stabilized voltage supply source for external sensor bridges
- Comparator with temperature controlled hysteresis
- Wide temperature range
- Max. 19 V supply.

## DESCRIPTION

The UZZ7000T is a differential input amplifier circuit with a trigger mechanism for application with magnetoresistive sensor bridges.

It is equipped with a two wire current interface. The polarity of an input voltage difference triggers the circuit supply current between 7 and 14 mA.

The device also includes a voltage regulator for supply to an external sensor bridge.

An on-chip temperature sensor adapts the comparator hysteresis to the temperature dependent sensitivity of typical magnetoresistive sensors, such as the Philips KMZ family types.

## PINNING

PIN	SYMBOL	DESCRIPTION
1	SA	positive differential input
2	n.c.	not connected
3	n.c.	not connected
4	VAC	current output and supply
5	GND	ground
6	n.c.	not connected
7	VP	bridge supply
8	SB	negative differential input

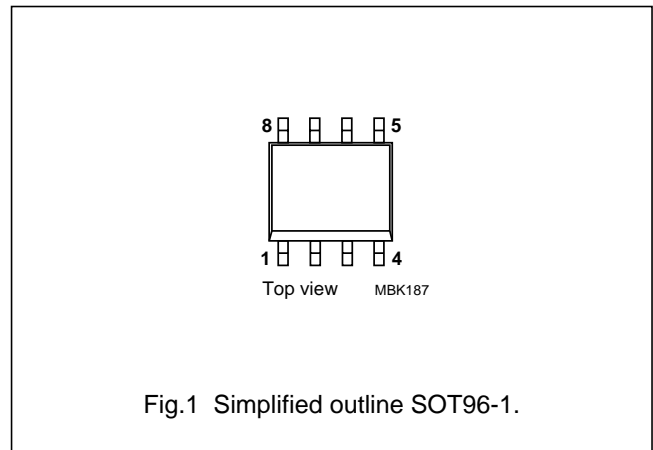


Fig.1 Simplified outline SOT96-1.

## QUICK REFERENCE DATA

SYMBOL	PARAMETER	CONDITIONS	MIN.	TYP.	MAX.	UNIT
V <sub>VAC</sub>	DC supply voltage	T <sub>amb</sub> = -40 to +60 °C	5.5	12	19	V
		T <sub>amb</sub> = -40 to +150 °C	–	–	15	V
I <sub>VAC(L)</sub>	DC supply and output current	V <sub>VAC</sub> = 12 V; V <sub>in</sub> > 0; note 1	–	7	–	mA
I <sub>VAC(H)</sub>	DC supply and output current	V <sub>VAC</sub> = 12 V; V <sub>in</sub> < 0; note 1	–	14	–	mA
V <sub>VP</sub>	DC bridge supply voltage		–	4.9	–	V
I <sub>VP</sub>	bridge supply current capability	V <sub>VP</sub> > 4.7 V	–	–	-4.3	mA
T <sub>amb</sub>	ambient operating temperature	V <sub>CC</sub> = 12 V; note 2	-40	–	+150	°C

## Notes

1. V<sub>in</sub> = V<sub>SA</sub> - V<sub>SB</sub>.
2. Maximum power consumption according to power derating curve, see Fig.2.

Trigger amplifier with two wire current interface

UZZ7000T

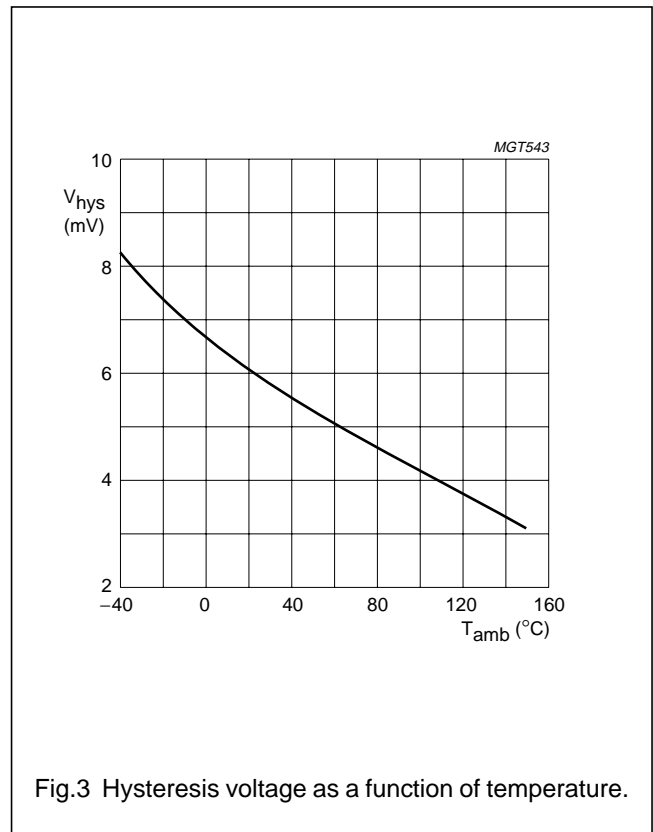
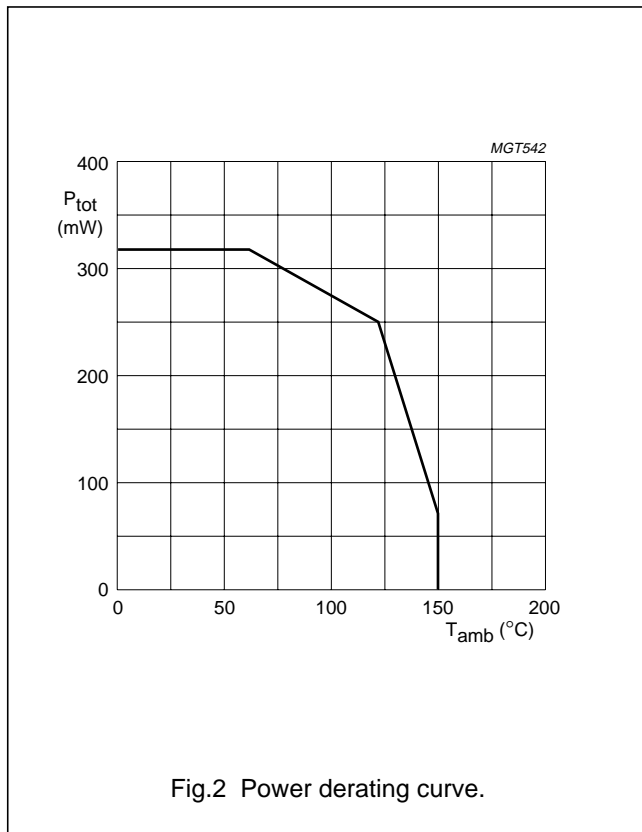
**LIMITING VALUES**

In accordance with the Absolute Maximum Rating System (IEC 60134).

SYMBOL	PARAMETER	CONDITIONS	MIN.	MAX.	UNIT
V <sub>VAC</sub>	DC supply voltage	not protected against incorrect polarity			
		T <sub>amb</sub> = -40 to +60 °C	-0.5	+19	V
		T <sub>amb</sub> = -40 to +150 °C	-	15	V
V <sub>SA</sub>	maximum input voltage range	t ≤ 5 s; T <sub>amb</sub> = 26 ± 10 °C	-0.5	7	V
V <sub>SB</sub>	maximum input voltage range	t ≤ 5 s; T <sub>amb</sub> = 26 ± 10 °C	-0.5	7	V
P <sub>tot</sub>	total power dissipation	note 1	-	320	mW
T <sub>amb</sub>	ambient operating temperature	V <sub>CC</sub> = 12 V; note 1	-40	+150	°C
T <sub>stg</sub>	storage temperature		-40	+150	°C

**Note**

1. Maximum power consumption according to power derating curve, see Fig.2.



## Trigger amplifier with two wire current interface

UZZ7000T

**CHARACTERISTICS** $T_{amb} = 26\text{ °C}$ ;  $V_{VAC} = 12\text{ V}$ ; unless otherwise specified.

SYMBOL	PARAMETER	CONDITIONS	MIN.	TYP.	MAX.	UNIT
<b>Supply conditions</b>						
$I_{VAC(L)}$	DC supply current	$T_{amb} \pm 10\text{ °C}$	5.6	7	8.4	mA
$I_{VAC(H)}$	DC supply current	$T_{amb} \pm 10\text{ °C}$	11.2	14	16.8	mA
$V_{VAC}$	DC supply voltage	$T_{amb} = -40\text{ to }+150\text{ °C}$	5.5	12	15	V
<b>Signal input characteristics</b>						
$f_{rm}$	input frequency range		0	–	25000	Hz
$V_{SA}$	maximum input voltage range		–0.5	–	7	V
	operating input voltage range		2.4	–	2.6	V
$V_{SB}$	maximum input voltage range		–0.5	–	7	V
	operating input voltage range		2.4	–	2.6	V
$V_{OFF}$	input offset voltage	$T_{amb} \pm 10\text{ °C}$	–2.1	–	2.1	mV
$I_{BIAS}$	input bias current	$V_{SA} - V_{SB} = 0$	0.14	0.5	1.6	$\mu\text{A}$
$I_{OFF}$	input offset current	$V_{SA} - V_{SB} = 0$	–75	–	75	nA
$V_{HYS}$	input hysteresis voltage	at $T_{amb}$ ; notes 1 and 2	5.4	6	6.9	mV
<b>Bridge supply output characteristics</b>						
$V_{VP}$	DC bridge supply voltage		4.7	4.9	5	V
$I_{VP}$	DC bridge supply current		–	–	–4.3	mA
<b>Environmental conditions</b>						
	ESD protection of output pins VAC and GND	compliance to IEC 0801-2 (IV); note 3	2	–	–	kV
	ESD protection of sensor interface pins SA, SB and VP	compliance to IEC 0801-2 (IV); note 4	0.3	–	–	kV

**Notes**

1. Input hysteresis voltage is the difference between higher and lower switching point referred to input.
2. Temperature dependence of voltage hysteresis; see Fig.3.
3. Output pins are designed for electrostatic sensitivity with field strengths up to 2 kV according to Human Body Model (HBM), MIL-STD-883, method 3015.
4. Differential input pins are designed for electrostatic sensitivity with field strengths up to 0.3 kV according to Human Body Model (HBM), MIL-STD-883, method 3015.

# Trigger amplifier with two wire current interface

# UZZ7000T

### FUNCTIONAL DESCRIPTION

The UZZ7000 is a differential input trigger amplifier with a two wire interface and sensor supply regulator. It is designed for application with magnetoresistive sensor bridges. The block diagram is shown in Fig.4

The circuitry includes a voltage regulator for supply to an external sensor bridge.

An on-chip temperature sensor adapts the comparator hysteresis to the temperature dependent sensitivity of a typical magnetoresistive sensor from the Philips MR-Sensor KMZ families.

The UZZ7000T device and the connected sensor bridge are supplied from a two wire current interface. The digital output is directly related to the differential voltage input between pins SA and SB which switches the constant current source between 7 and 14 mA.

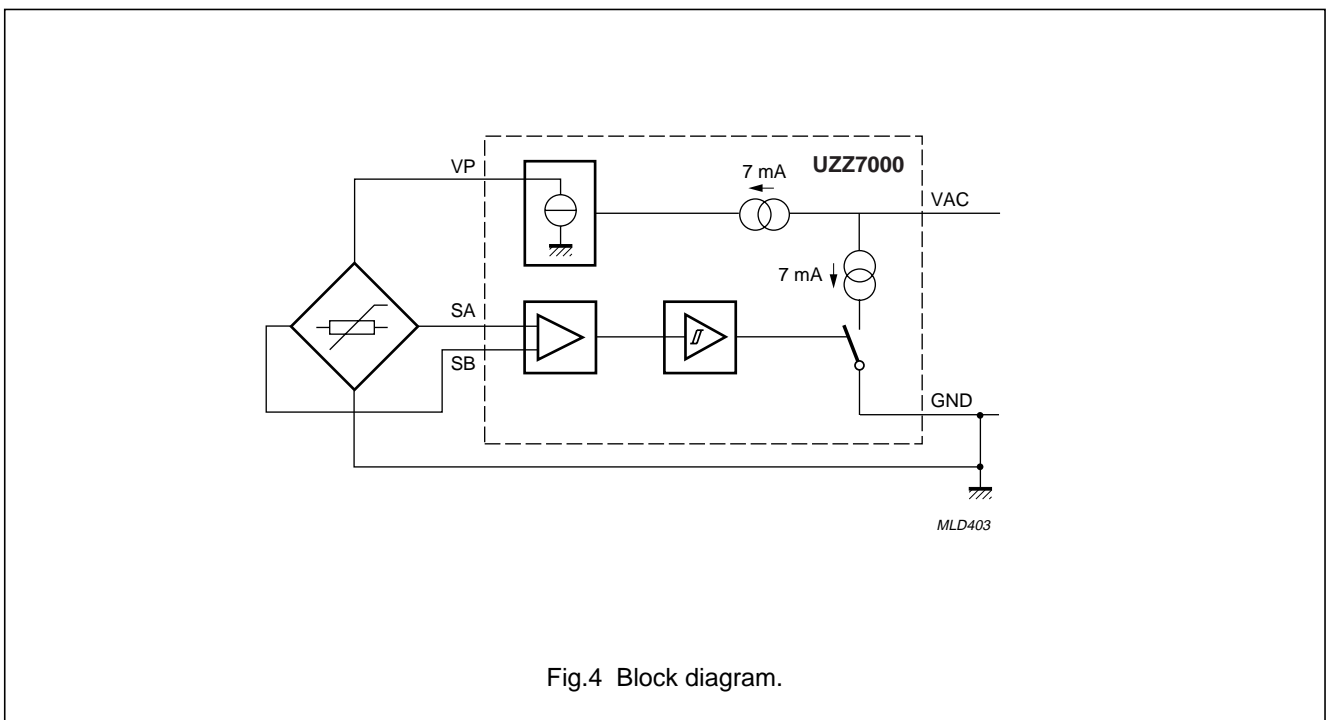


Fig.4 Block diagram.

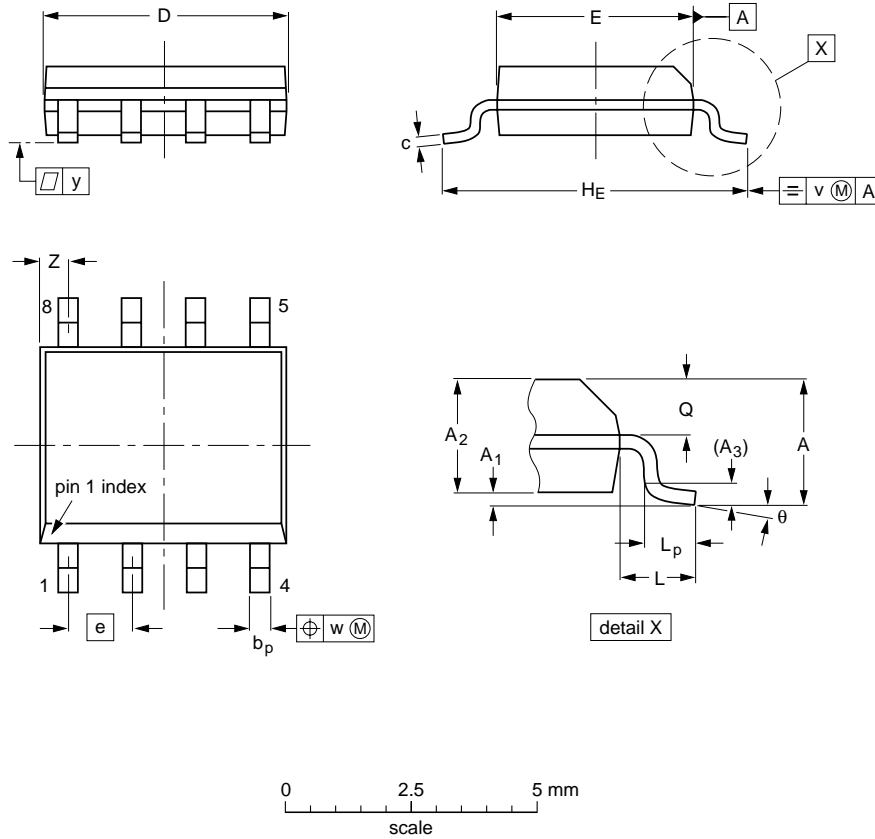
Trigger amplifier with two wire current interface

UZZ7000T

PACKAGE OUTLINE

SO8: plastic small outline package; 8 leads; body width 3.9 mm

SOT96-1



DIMENSIONS (inch dimensions are derived from the original mm dimensions)

UNIT	A max.	A <sub>1</sub>	A <sub>2</sub>	A <sub>3</sub>	b <sub>p</sub>	c	D <sup>(1)</sup>	E <sup>(2)</sup>	e	H <sub>E</sub>	L	L <sub>p</sub>	Q	v	w	y	z <sup>(1)</sup>	θ
mm	1.75	0.25 0.10	1.45 1.25	0.25	0.49 0.36	0.25 0.19	5.0 4.8	4.0 3.8	1.27	6.2 5.8	1.05	1.0 0.4	0.7 0.6	0.25	0.25	0.1	0.7 0.3	8° 0°
inches	0.069	0.010 0.004	0.057 0.049	0.01	0.019 0.014	0.0100 0.0075	0.20 0.19	0.16 0.15	0.050	0.244 0.228	0.041	0.039 0.016	0.028 0.024	0.01	0.01	0.004	0.028 0.012	

Notes

1. Plastic or metal protrusions of 0.15 mm maximum per side are not included.
2. Plastic or metal protrusions of 0.25 mm maximum per side are not included.

OUTLINE VERSION	REFERENCES				EUROPEAN PROJECTION	ISSUE DATE
	IEC	JEDEC	EIAJ			
SOT96-1	076E03	MS-012				97-05-22 99-12-27

## Trigger amplifier with two wire current interface

UZZ7000T

## DATA SHEET STATUS

DATA SHEET STATUS	PRODUCT STATUS	DEFINITIONS <sup>(1)</sup>
Objective specification	Development	This data sheet contains the design target or goal specifications for product development. Specification may change in any manner without notice.
Preliminary specification	Qualification	This data sheet contains preliminary data, and supplementary data will be published at a later date. Philips Semiconductors reserves the right to make changes at any time without notice in order to improve design and supply the best possible product.
Product specification	Production	This data sheet contains final specifications. Philips Semiconductors reserves the right to make changes at any time without notice in order to improve design and supply the best possible product.

## Note

1. Please consult the most recently issued data sheet before initiating or completing a design.

## DEFINITIONS

**Short-form specification** — The data in a short-form specification is extracted from a full data sheet with the same type number and title. For detailed information see the relevant data sheet or data handbook.

**Limiting values definition** — Limiting values given are in accordance with the Absolute Maximum Rating System (IEC 60134). Stress above one or more of the limiting values may cause permanent damage to the device. These are stress ratings only and operation of the device at these or at any other conditions above those given in the Characteristics sections of the specification is not implied. Exposure to limiting values for extended periods may affect device reliability.

**Application information** — Applications that are described herein for any of these products are for illustrative purposes only. Philips Semiconductors make no representation or warranty that such applications will be suitable for the specified use without further testing or modification.

## DISCLAIMERS

**Life support applications** — These products are not designed for use in life support appliances, devices, or systems where malfunction of these products can reasonably be expected to result in personal injury. Philips Semiconductors customers using or selling these products for use in such applications do so at their own risk and agree to fully indemnify Philips Semiconductors for any damages resulting from such application.

**Right to make changes** — Philips Semiconductors reserves the right to make changes, without notice, in the products, including circuits, standard cells, and/or software, described or contained herein in order to improve design and/or performance. Philips Semiconductors assumes no responsibility or liability for the use of any of these products, conveys no licence or title under any patent, copyright, or mask work right to these products, and makes no representations or warranties that these products are free from patent, copyright, or mask work right infringement, unless otherwise specified.

# Philips Semiconductors – a worldwide company

**Argentina:** see South America

**Australia:** 3 Figtree Drive, HOMEBUSH, NSW 2140,  
Tel. +61 2 9704 8141, Fax. +61 2 9704 8139

**Austria:** Computerstr. 6, A-1101 WIEN, P.O. Box 213,  
Tel. +43 1 60 101 1248, Fax. +43 1 60 101 1210

**Belarus:** Hotel Minsk Business Center, Bld. 3, r. 1211, Volodarski Str. 6,  
220050 MINSK, Tel. +375 172 20 0733, Fax. +375 172 20 0773

**Belgium:** see The Netherlands

**Brazil:** see South America

**Bulgaria:** Philips Bulgaria Ltd., Energoproject, 15th floor,  
51 James Bourchier Blvd., 1407 SOFIA,  
Tel. +359 2 68 9211, Fax. +359 2 68 9102

**Canada:** PHILIPS SEMICONDUCTORS/COMPONENTS,  
Tel. +1 800 234 7381, Fax. +1 800 943 0087

**China/Hong Kong:** 501 Hong Kong Industrial Technology Centre,  
72 Tat Chee Avenue, Kowloon Tong, HONG KONG,  
Tel. +852 2319 7888, Fax. +852 2319 7700

**Colombia:** see South America

**Czech Republic:** see Austria

**Denmark:** Sydhavnsgade 23, 1780 COPENHAGEN V,  
Tel. +45 33 29 3333, Fax. +45 33 29 3905

**Finland:** Sinikalliontie 3, FIN-02630 ESPOO,  
Tel. +358 9 615 800, Fax. +358 9 6158 0920

**France:** 51 Rue Carnot, BP317, 92156 SURESNES Cedex,  
Tel. +33 1 4099 6161, Fax. +33 1 4099 6427

**Germany:** Hammerbrookstraße 69, D-20097 HAMBURG,  
Tel. +49 40 2353 60, Fax. +49 40 2353 6300

**Hungary:** see Austria

**India:** Philips INDIA Ltd, Band Box Building, 2nd floor,  
254-D, Dr. Annie Besant Road, Worli, MUMBAI 400 025,  
Tel. +91 22 493 8541, Fax. +91 22 493 0966

**Indonesia:** PT Philips Development Corporation, Semiconductors Division,  
Gedung Philips, Jl. Buncit Raya Kav.99-100, JAKARTA 12510,  
Tel. +62 21 794 0040 ext. 2501, Fax. +62 21 794 0080

**Ireland:** Newstead, Clonskeagh, DUBLIN 14,  
Tel. +353 1 7640 000, Fax. +353 1 7640 200

**Israel:** RAPAC Electronics, 7 Kehilat Saloniki St, PO Box 18053,  
TEL AVIV 61180, Tel. +972 3 645 0444, Fax. +972 3 649 1007

**Italy:** PHILIPS SEMICONDUCTORS, Via Casati, 23 - 20052 MONZA (MI),  
Tel. +39 039 203 6838, Fax +39 039 203 6800

**Japan:** Philips Bldg 13-37, Kohnan 2-chome, Minato-ku,  
TOKYO 108-8507, Tel. +81 3 3740 5130, Fax. +81 3 3740 5057

**Korea:** Philips House, 260-199 Itaewon-dong, Yongsan-ku, SEOUL,  
Tel. +82 2 709 1412, Fax. +82 2 709 1415

**Malaysia:** No. 76 Jalan Universiti, 46200 PETALING JAYA, SELANGOR,  
Tel. +60 3 750 5214, Fax. +60 3 757 4880

**Mexico:** 5900 Gateway East, Suite 200, EL PASO, TEXAS 79905,  
Tel. +9-5 800 234 7381, Fax +9-5 800 943 0087

**Middle East:** see Italy

**Netherlands:** Postbus 90050, 5600 PB EINDHOVEN, Bldg. VB,  
Tel. +31 40 27 82785, Fax. +31 40 27 88399

**New Zealand:** 2 Wagener Place, C.P.O. Box 1041, AUCKLAND,  
Tel. +64 9 849 4160, Fax. +64 9 849 7811

**Norway:** Box 1, Manglerud 0612, OSLO,  
Tel. +47 22 74 8000, Fax. +47 22 74 8341

**Pakistan:** see Singapore

**Philippines:** Philips Semiconductors Philippines Inc.,  
106 Valero St. Salcedo Village, P.O. Box 2108 MCC, MAKATI,  
Metro MANILA, Tel. +63 2 816 6380, Fax. +63 2 817 3474

**Poland:** Al.Jerozolimskie 195 B, 02-222 WARSAW,  
Tel. +48 22 5710 000, Fax. +48 22 5710 001

**Portugal:** see Spain

**Romania:** see Italy

**Russia:** Philips Russia, Ul. Usatcheva 35A, 119048 MOSCOW,  
Tel. +7 095 755 6918, Fax. +7 095 755 6919

**Singapore:** Lorong 1, Toa Payoh, SINGAPORE 319762,  
Tel. +65 350 2538, Fax. +65 251 6500

**Slovakia:** see Austria

**Slovenia:** see Italy

**South Africa:** S.A. PHILIPS Pty Ltd., 195-215 Main Road Martindale,  
2092 JOHANNESBURG, P.O. Box 58088 Newville 2114,  
Tel. +27 11 471 5401, Fax. +27 11 471 5398

**South America:** Al. Vicente Pinzon, 173, 6th floor,  
04547-130 SÃO PAULO, SP, Brazil,  
Tel. +55 11 821 2333, Fax. +55 11 821 2382

**Spain:** Balmes 22, 08007 BARCELONA,  
Tel. +34 93 301 6312, Fax. +34 93 301 4107

**Sweden:** Kottbygatan 7, Akalla, S-16485 STOCKHOLM,  
Tel. +46 8 5985 2000, Fax. +46 8 5985 2745

**Switzerland:** Allmendstrasse 140, CH-8027 ZÜRICH,  
Tel. +41 1 488 2741 Fax. +41 1 488 3263

**Taiwan:** Philips Semiconductors, 5F, No. 96, Chien Kuo N. Rd., Sec. 1,  
TAIPEI, Taiwan Tel. +886 2 2134 2451, Fax. +886 2 2134 2874

**Thailand:** PHILIPS ELECTRONICS (THAILAND) Ltd.,  
60/14 MOO 11, Bangna Trad Road KM. 3, Bagna, BANGKOK 10260,  
Tel. +66 2 361 7910, Fax. +66 2 398 3447

**Turkey:** Yukari Dudullu, Org. San. Blg., 2.Cad. Nr. 28 81260 Umraniye,  
ISTANBUL, Tel. +90 216 522 1500, Fax. +90 216 522 1813

**Ukraine:** PHILIPS UKRAINE, 4 Patrice Lumumba str., Building B, Floor 7,  
252042 KIEV, Tel. +380 44 264 2776, Fax. +380 44 268 0461

**United Kingdom:** Philips Semiconductors Ltd., 276 Bath Road, Hayes,  
MIDDLESEX UB3 5BX, Tel. +44 208 730 5000, Fax. +44 208 754 8421

**United States:** 811 East Arques Avenue, SUNNYVALE, CA 94088-3409,  
Tel. +1 800 234 7381, Fax. +1 800 943 0087

**Uruguay:** see South America

**Vietnam:** see Singapore

**Yugoslavia:** PHILIPS, Trg N. Pasica 5/v, 11000 BEOGRAD,  
Tel. +381 11 3341 299, Fax.+381 11 3342 553

**For all other countries apply to:** Philips Semiconductors,  
Marketing Communications, Building BE-p, P.O. Box 218, 5600 MD EINDHOVEN,  
The Netherlands, Fax. +31 40 27 24825

**Internet:** <http://www.semiconductors.philips.com>

© Philips Electronics N.V. 2000

SCA 70

All rights are reserved. Reproduction in whole or in part is prohibited without the prior written consent of the copyright owner.

The information presented in this document does not form part of any quotation or contract, is believed to be accurate and reliable and may be changed without notice. No liability will be accepted by the publisher for any consequence of its use. Publication thereof does not convey nor imply any license under patent- or other industrial or intellectual property rights.

Printed in The Netherlands

613520/01/pp8

Date of release: 2000 Sep 05

Document order number: 9397 750 07266

*Let's make things better.*

**Philips**  
Semiconductors



**PHILIPS**